



Modul-Connect 343 Light Bar

Owner's Manual



19790-04
343 mm / 6 modules

For safe and optimum performance, the **Light Bar** must be used properly. Carefully read and follow all instructions and guidelines in this manual and give special attention to the **CAUTION** and **WARNING** statements.

PLEASE KEEP THIS MANUAL FOR FUTURE REFERENCE

Disclaimer

While every precaution has been taken to ensure the accuracy of the contents of this guide, Modul-System assumes no responsibility for errors or omissions. Note as well that specifications and product functionality may change without notice.

Important

Please be sure to read and save the entire manual before using your Light Bar. Misuse may result in damage and/or cause harm or serious injury.

Product Number:

19790-04 Light bar 343

Spare Parts:

19797-03 Side cover, light bar
19799-04 LED module, light bar

Control:

24000-03 Modul-Connect Main Box
24000-032 Modul-Connect Main Box PRO

Switching Options:

24040-03 Modul-Connect Display Switch Panel
24035-03 Modul-Connect Backlit Switch Panel
24030-03 Modul-Connect Remote Control

Or

19795-03 Light Bar Control Panel

Document Part Number

MSMCLB343 1.2.05

Service Contact Information

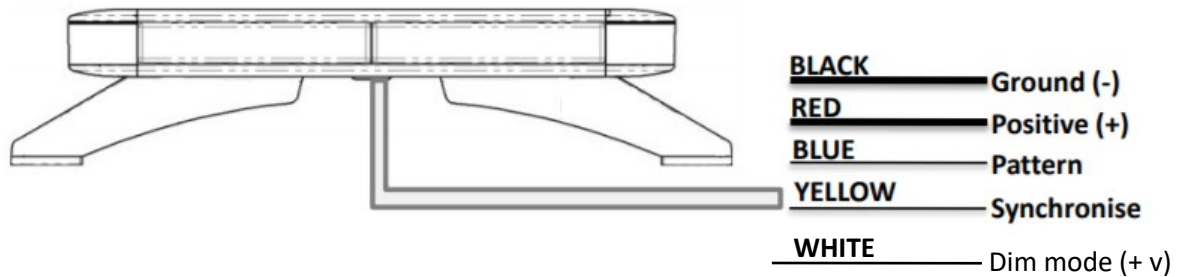
E-mail: modul-connect@modul-system.com
Phone: +46 31 746 87 00
Web: www.modul-system.com

1. Product description

The Modul-Connect Light Bar includes the features listed below:

- Ultra slim design.
- Aluminium construction for durability.
- Possibility to synchronize 2 light bars (of the same specification).
- 15 flash patterns for warning light.
- Zero (0) consumption on the Main +12v Power cable when Off.
- 7 meters of attached cable to facilitate installation.
- Ability to keep the selected Flash Pattern.
- Use of KST waterproof connectors to standardise the LED light heads.
- Default supplied pattern (with no control input) is (No 24) ECE R65 Double flash R/L Alternate.

2. Operation



3. Mounting

The light bar can be mounted using the supplied mounting 'feet', the mounting feet can be infinity adjusted width ways to align with an appropriate mounting position.

The Light Bar also has 7 meters of multi core cable which makes installation easier when connecting to the Modul-Connect Main box.

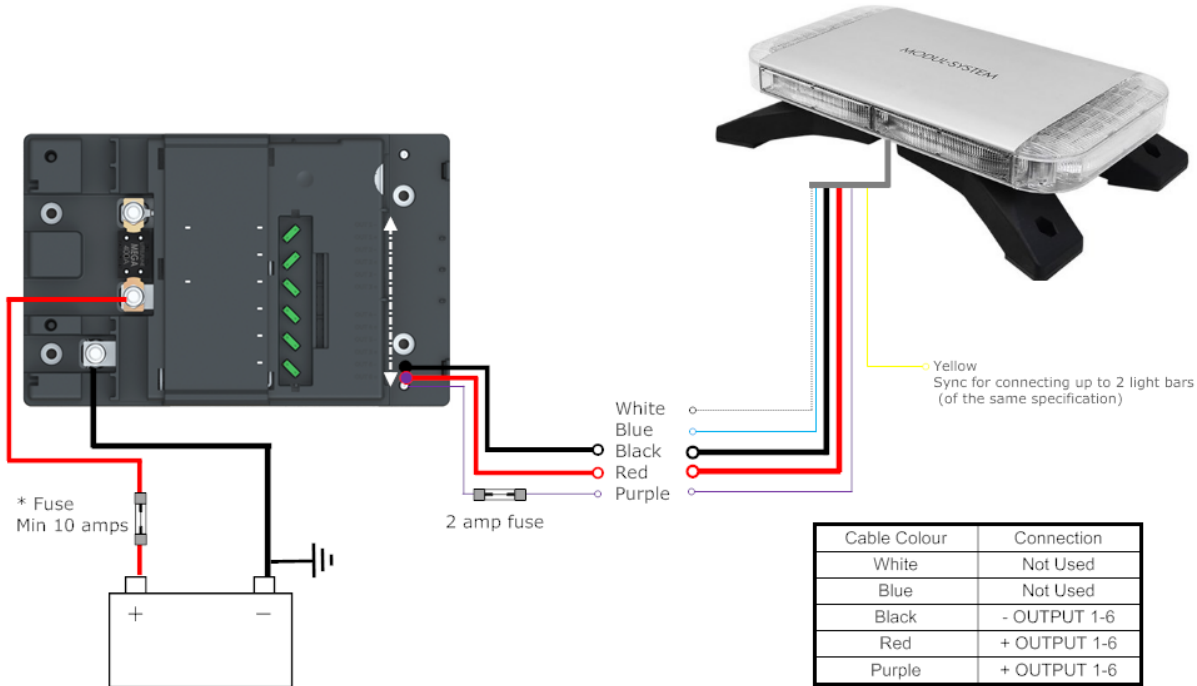
4. Basic Connection

- Connect the Black cable to -12v. (Chassis Earth)
- Connect the Red cable to a fused +12v positive.
- Connect the Purple (switching) cable to a fused +12v positive to turn on the Light Bar.

5. Connection to Modul Connect

Light Bar has 7 meters of cable which will work better with our installations.

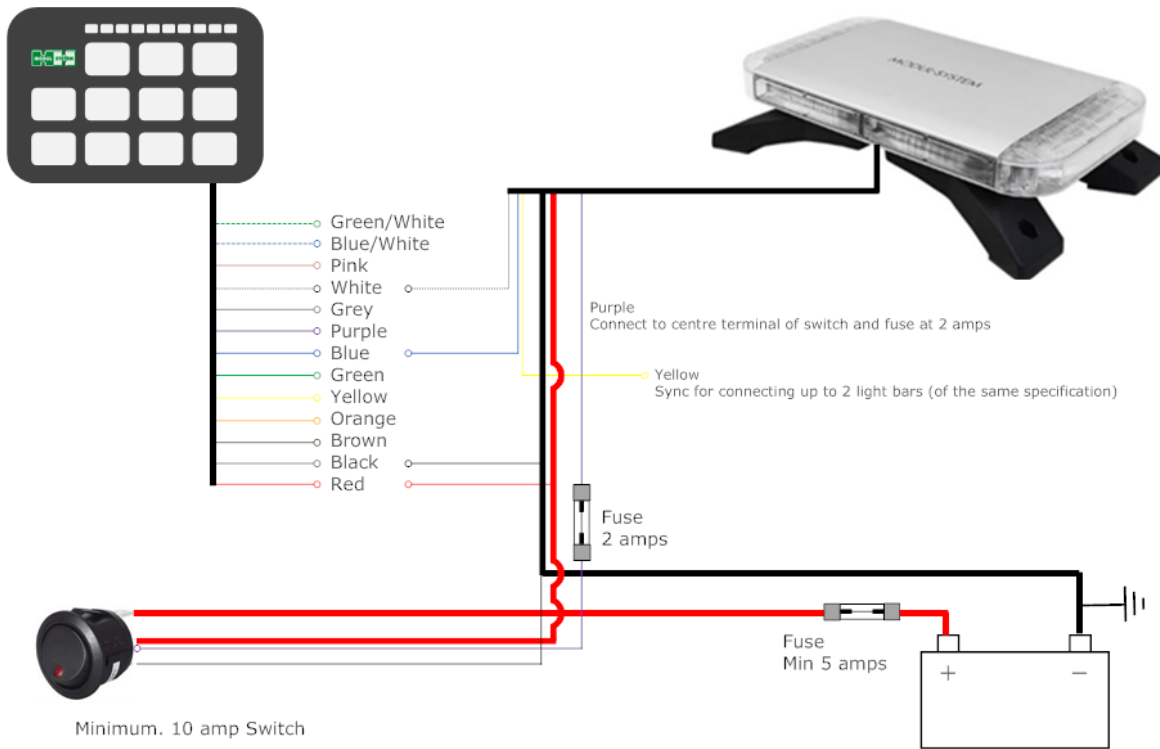
For FULL Light bar functionality wire the Light bar as below:



*When using MC for Light Bar Only.
If connecting more products to MC then the Input cable size and fuse must be calculated accordingly.

6. Connection to Light Bar Control Panel

For connection to 19795-03 Light Bar Control Panel, refer to instruction supplied with that unit and the schematic below:



Sync

- For two Light bars on the same vehicle Use YELLOW wire to connect to two lights bars (of the same specification)
Connect the YELLOW wires of both light bars together first before turning the power on.

Dim

- When switching the White cable to DIM the light bar it will reduce the brightness 50% from original.

7. Flash Patterns

When the Light Bar is turned off the last Selected Flash Pattern will be kept.

No.	Pattern	Remark
1	STEADY BURN	
2	SINGLE, ALL-SIM + C/S-ALT	SAE
3	QUAD, ALL-SIM	SAE
4	SINGLE, ALL-SIM	
5	QUAD, R/L-ALT	SAE
6	SINGLE, R/L-ALT	ECE
7	QUAD, ALL-SIM	ECE
8	DOUBLE, R/L-ALT ('New out of the box' Default)	ECE
9	SINGLE, ALL-SIM + C/S-ALT	ECE
10	ROTATE, OPPOSITE	
11	SINGLE, R/L-ALT	
12	QUAD, C/S-ALT	SAE
13	Rotate Wave 120 RPM	
14	SINGLE+QUAD, R/L-ALT	
15	SINGLE+QUAD, ALL-SIM	

8. Specifications

Note: The specifications are subject to change without notices.

Part number Description	19790-04 Light bar 343
Total length (mm)	343
Total depth (mm)	238
Total height (mm)	88
Weight (kg)	3
Operating voltage	10-30Vdc
Power supply	12Vdc / 24Vdc
Operating temp.	-30°C to +50°C
Storage temp.	-40°C to +90°C
Maximum power	54W
Amp draw	4.09A peak
LED	54 pcs 1W LED
Lumen (lm)	4320
Lens	LIN
LED color	Amber
Lens color	White
Flash pattern	15
Synchronisation	≤ 2 Pcs
Cable length	7 m
Mount	Surface mount
Material specification	Aluminium housing Polycarbonate lens Plastic mounting bracket
IP	IP65
Certification	ECE R65 class 2, ECE R10

9. Warranty

TWO YEAR LIMITED WARRANTY

The limited warranty program is the only one that applies to this unit, and it sets forth all the responsibilities of Modul-System. There is no other warranty, other than those described herein. Any implied warranty of merchantability of fitness for a particular purpose on this unit is limited in duration to the duration of this warranty.

This unit is warranted, to the original purchaser only, to be free of defects in materials and workmanship for two years from the date of purchase without additional charge. The warranty does not extend to subsequent purchasers or users.

Manufacturer will not be responsible for any amount of damage in excess of the retail purchase price of the unit under any circumstances. Incidental and consequential damages are specifically excluded from coverage under this warranty.

This warranty does not apply to damage to units from misuse or incorrect installation/connection. Misuse includes wiring or connecting to improper polarity power sources.

RETURN/REPAIR POLICY:

If you are experiencing any problems with your unit, please contact our customer service department at info@modul-system.com or phone +46 31 746 87 00 before returning product. After speaking to a customer service representative, if products are deemed non-working or malfunctioning, the product may be returned to Modul-System within 30 days of original purchase. Any defective unit that is returned to manufacturer within 30 days of the date of purchase will be replaced free of charge.

If such a unit is returned more than 30 days but less than two years from the purchase date, manufacturer will repair the unit or, at its option, replace it, free of charge. If the unit is repaired, new or reconditioned replacement parts may be used, at manufacturer's option. A unit may be replaced with a new or reconditioned unit of the same or comparable design. The repaired or replaced unit will then be warranted under these terms for the remainder of the warranty period. The customer is responsible for the shipping charges on all returned items.

LIMITATIONS:

This warranty does not cover accessories, such as adapters and batteries, damage or defects result from normal wear and tear (including chips, scratches, abrasions, discoloration or fading due to usage or exposure to sunlight), accidents, damage during shipping to our service facility, alterations, unauthorized use or repair, neglect, misuse, abuse, failure to follow instructions for care and maintenance, fire and flood.

If your problem is not covered by his warranty, contact our Customer Service Department info@modul-system.com or +46 31 746 87 00 for general information if applicable.