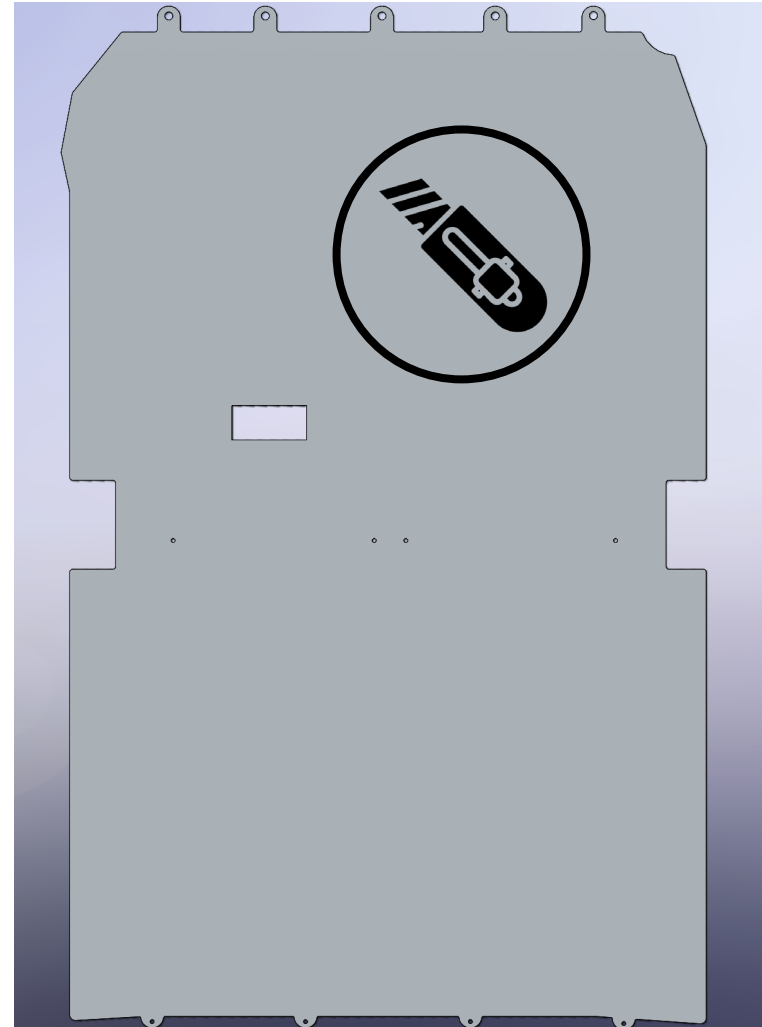
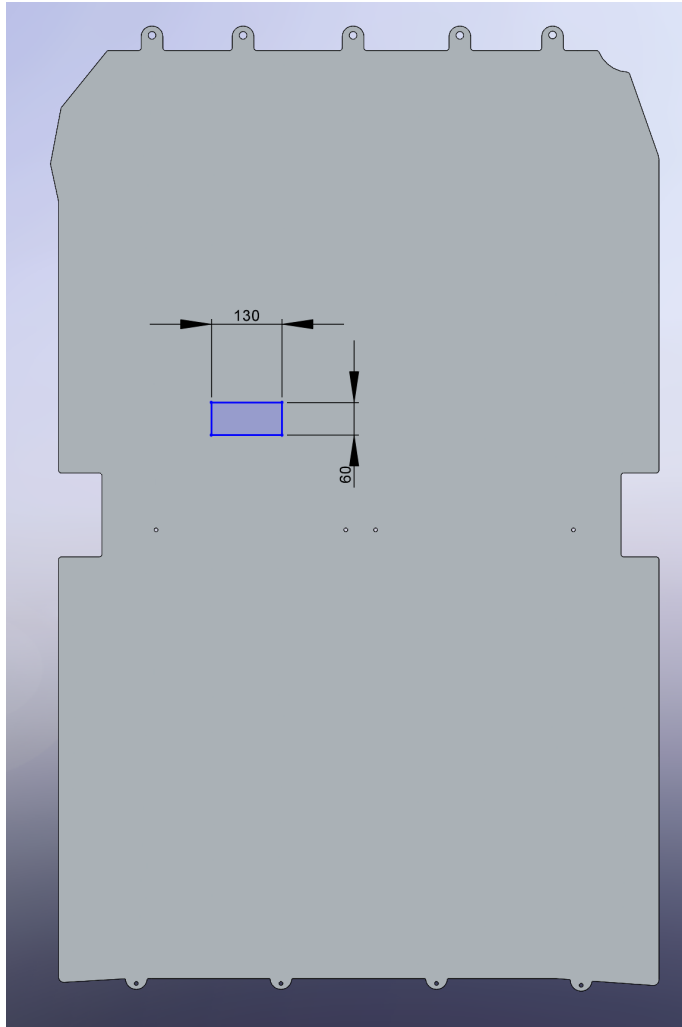


1

2

Mark where to make the cut (130mm x 65mm). The cord is relatively short, so ensure you leave ample slack. It can not be centered.

Make the cut-out using a carpet knife.



Install the lamp using the bracket (p/n 57115-03).

The light switch should be pointing towards the front of the vehicle.

