

4x 62884

2x 73211

4x R6283



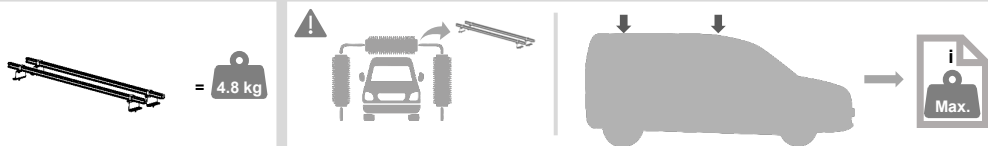
8x M8x16

8x M8

4x M8x25

4x R6288

R6600

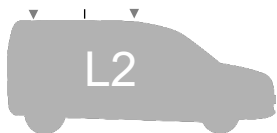


= 4.8 kg

Max.



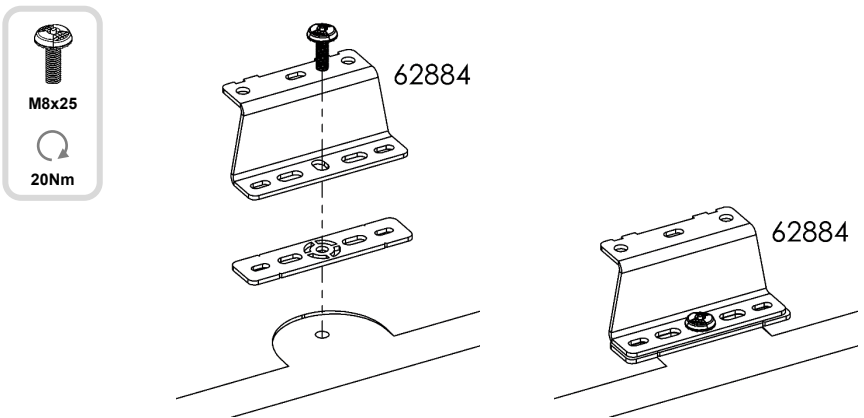
L1



L2



1



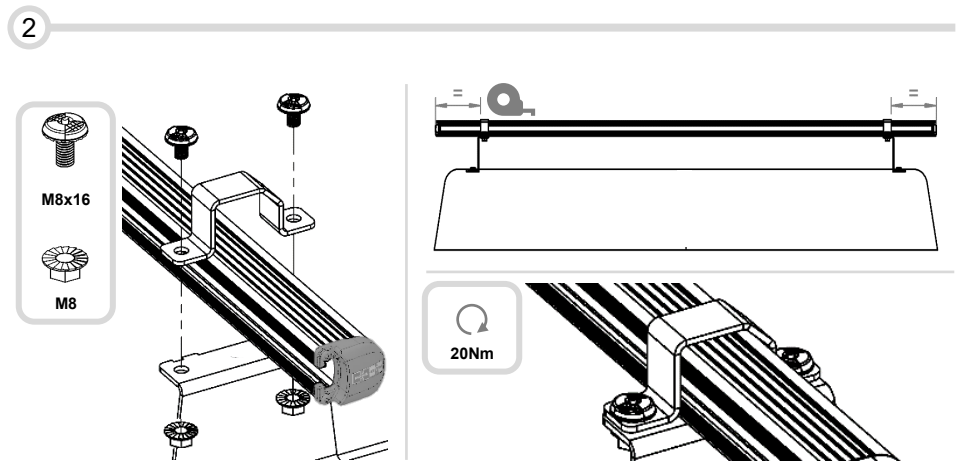
M8x25



20Nm

62884

62884



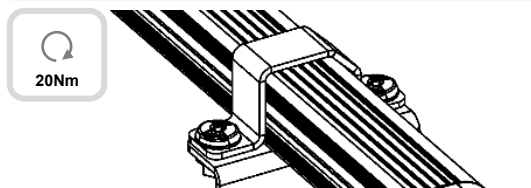
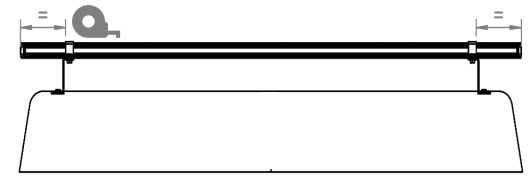
2



M8x16



M8



20Nm